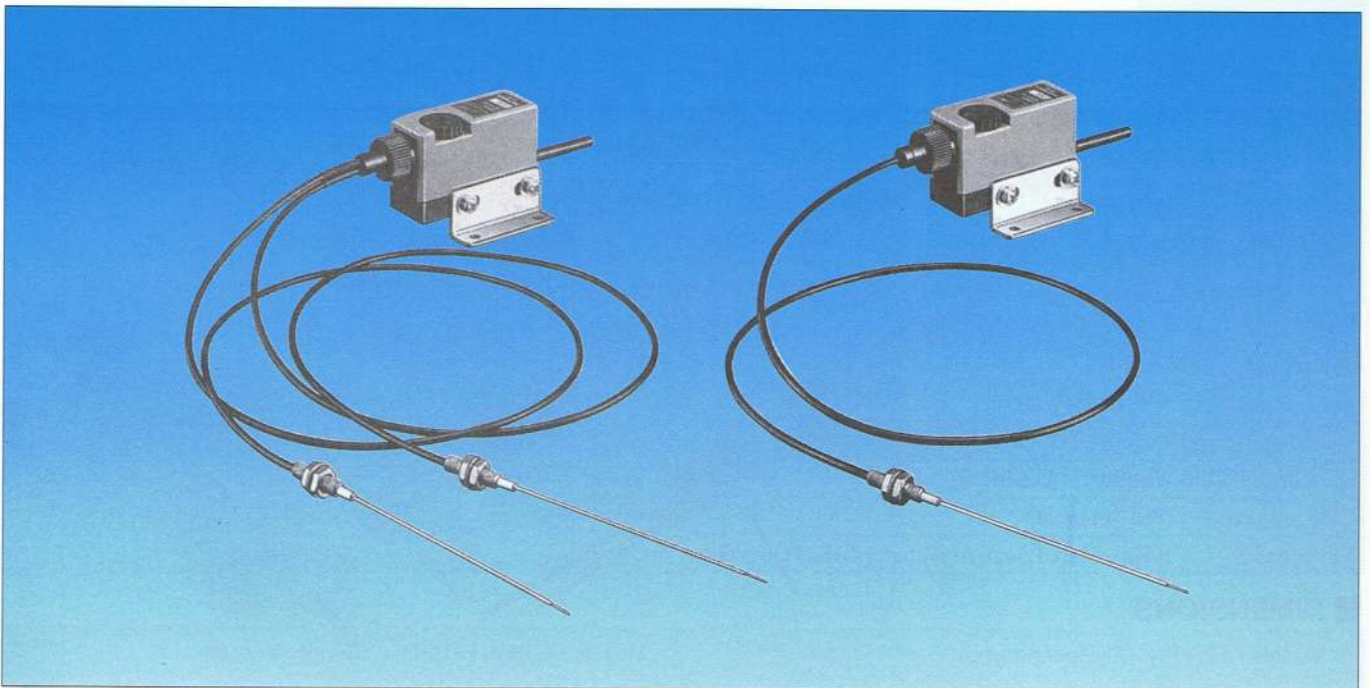


# F5N series

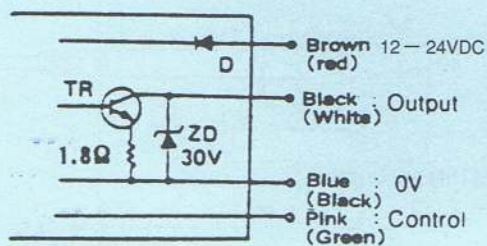
FIBER OPTIC SENSORS

- Incorporating a multi-turn potentiometer enables a broad sensitivity setting. Operation does not require such tools as a screwdriver, and has thumbwheel control.
- Open collector output can be used for various kinds of applications such as sequencers, relays, and 5V circuit or 5 to 30V circuit.
- Dual output allows either Light-on or Dark-on output option.
- Single Amplifier unit allows either diffuse, reflective or throughbeam fiber optic cables to be used.

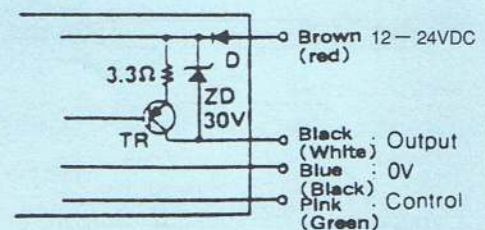


## OUTPUT CIRCUIT

NPN Output type



PNP Output type

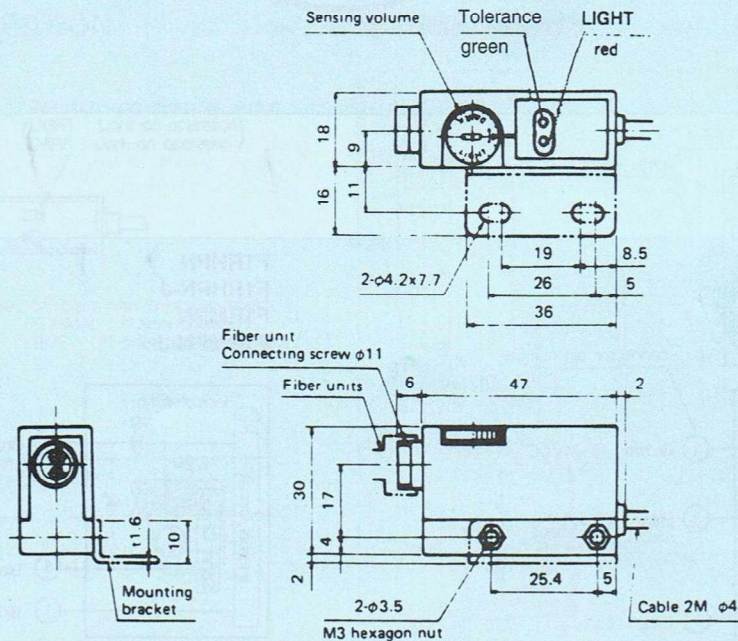


- Loaded short circuit or overload shuts off power and the output transistor. Turn the power back on after checking the loaded condition.

## SPECIFICATIONS

MODEL	F5N	F5RN	F5GN	F5N-PNP	F5RN-PNP
Light source	Infrared LED	Red LED	Green LED	Infrared LED	Red LED
Power supply	12-24V DC $\pm$ 10%, Ripple 10% (Max.)				
Current consumption	30mA (Max.)			35mA (Max.)	
Operating mode	Light-ON, Dark-ON selectable				
Output mode	Open collector NPN output			Open collector PNP output	
Rating	Sink current 100mA 30V DC (Max.) Short circuit protection built-in			Source current 100mA 30V DC (Max.) Short circuit protection built-in	
Hysteresis	10% (Max.)				
Response time	100 $\mu$ sec (Max.)		200 $\mu$ sec (Max.)		100 $\mu$ sec (Max.)
Foreign light	3,000Lux (Max.)				
Indicator	Signal light : Red LED, Tolerance light : Green LED				
Sensitivity adjust	4 turns adjustment				
Temperature range	-10 ~ +55°C				
Humidity range	85%RH (Max.)				
Enclosure	IP40				
Vibration	10Hz to 55Hz, double amplitude 1.5mm, 3 directions 2 hours each				
Insulation resistance	20M $\Omega$ min (at 500V DC megger)				
Case material	ABS resin				
Wiring	2m Flying lead 0.2 $\times$ 4c				
Weight	60g (Max.)				

## DIMENSIONS



DIN-rail type is available.